

Fig. 1

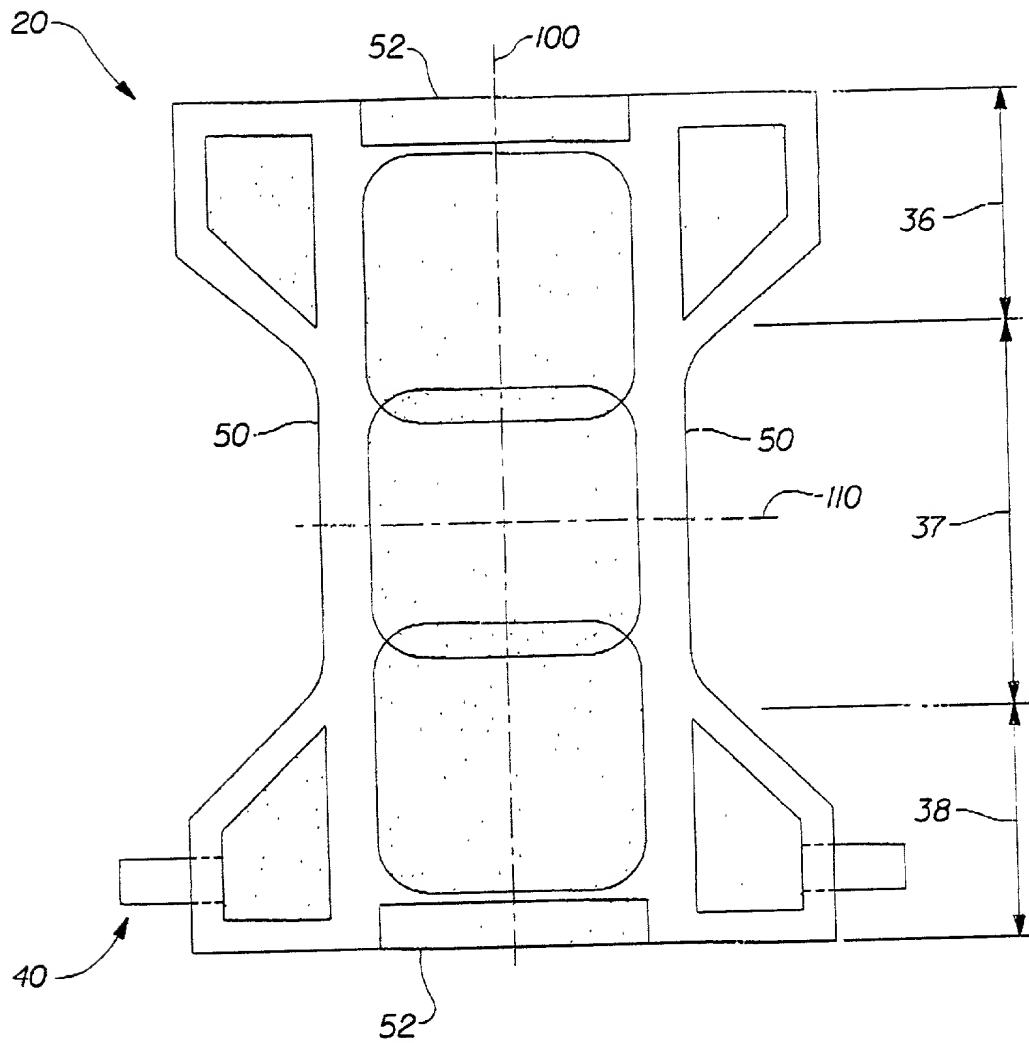


Fig. 2

3/4

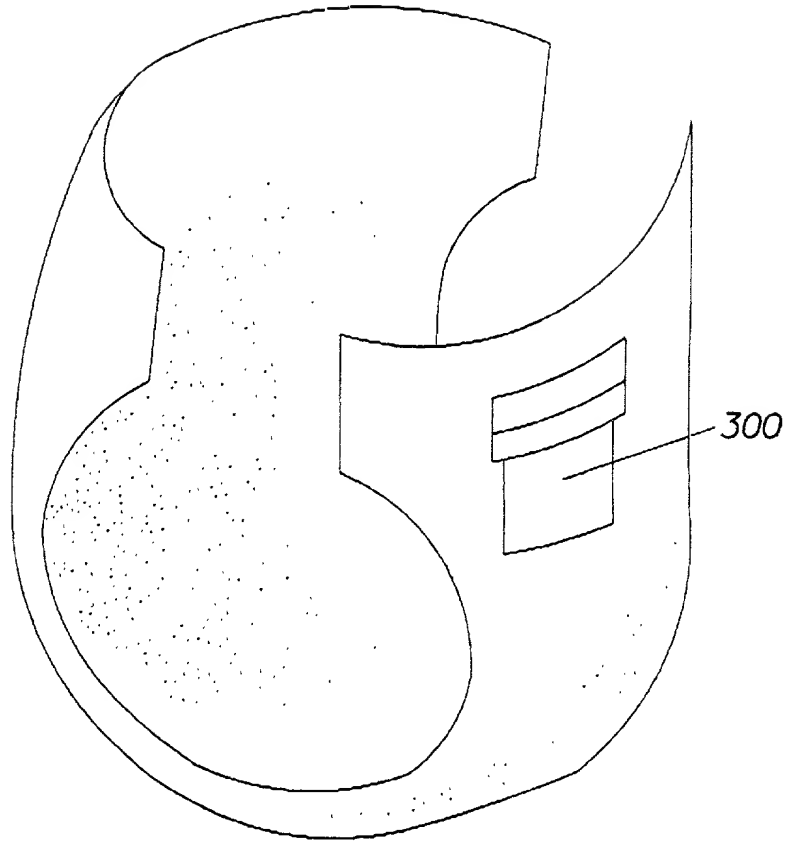
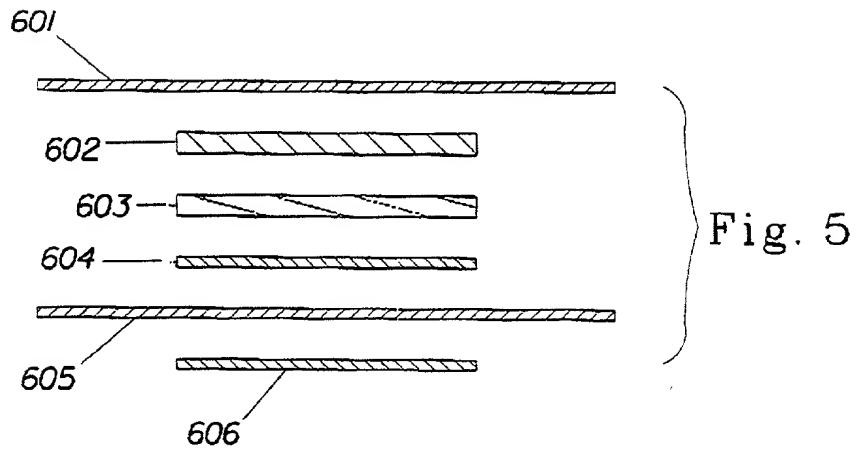
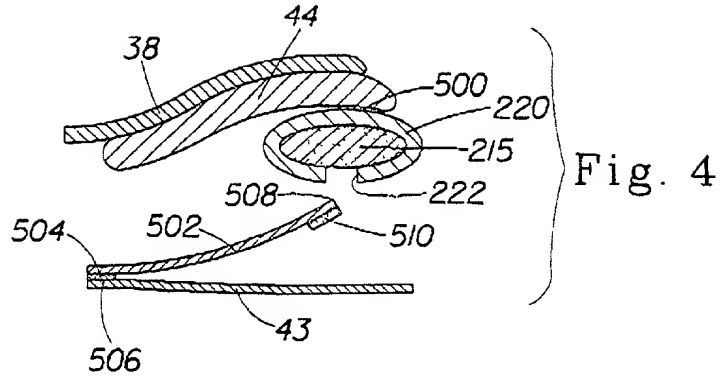


Fig. 3

FOR THE



www.4mat.com